

C-NaviGator II

C-NaviGator II Control and Display Unit



Figure 1: C-NaviGator II Display (Front View)



Figure 2: C-NaviGator II Side-panel Connectors



Figure 3: C-NaviGator II Power Supply

Mechanical Specifications

Size (L x W x H)	82.2mm (3.2") x 340mm (13.4") x 260mm (10.2")
Weight	4.8 kg (10.6 lbs)
Display	10.4" TFT LCD, 1024x768, 400 nit, Resistive TS
CPU	1.0 GHz VIA 7C, 512 MB, 2GB CF

Power Input Specifications

Input Voltage	12 VDC +/- 5% (24-12VDC converter available)
Consumption	30 W

Power Supply

Size (L x W x H)	31mm (1.2") x 110mm (4.3") x 62mm (2.4")
Connector	Conxall, Micro-Con-X 16282-2SG-311
Input Voltage	90 – 264 VAC
Power	60 W
Frequency	47 - 63 Hz
Output Voltage	12 VDC (+/- 5%)
Operating Temperature	0° C ~ +40° C
Storage Temperature	-20° C ~ +65° C
Humidity	Operating: 20 ~ 80% RH; Storage: 10 ~ 90% RH

Connectors

DC Power	Conxall, Micro-Con-X 17282-2PG-300
I/O Ports	4 x 9 pin RS-232 DBM (RS232-422 converter available)
Keyboard/Mouse	PS/2
LAN	1 x 100/1000 Mbps
USB	2 x 2.0
VGA	1 x 15 pin DBF
Printer, Parallel	1 x 25 pin DBF

Environmental Specifications

Operating Temperature	0° C to +60° C
Storage Temperature	-20° C to +85° C
Humidity	5 - 90% @ 60° C, non-condensing

C-NaviGator II Mounting Options

Option #1: Allows mounting from ceiling, wall or desktop with fully adjustable positioning.



Figure 4: RAM 100 75 VESA Base (w/ Steel Reinforce) / RAM-D-246U-IN1
This piece fits to the standard VESA mounting holes on the back of the C-NaviGator.



Figure 5 RAM Double Socket Arms

- RAM-D-201U-C / RAM Double Socket Arm SHORT (3.63")
- RAM-D-201U / RAM Double Socket Arm MEDIUM (6.88")
- RAM-D-201U-E / RAM Double Socket Arm LONG (11.75")

Choose from one of the arms above. We recommend the medium length.



Figure 6: RAM 11" X 3" Base (w/ Steel Reinforce) / RAM-D-111B-IN1U (left) &
RAM 3.68 DIA. BASE (w/ Steel Reinforce) / RAM-D-202U-IN1 (right)
This piece is fixed to the ceiling, counter top or wall.

Option #2: Desktop Stand

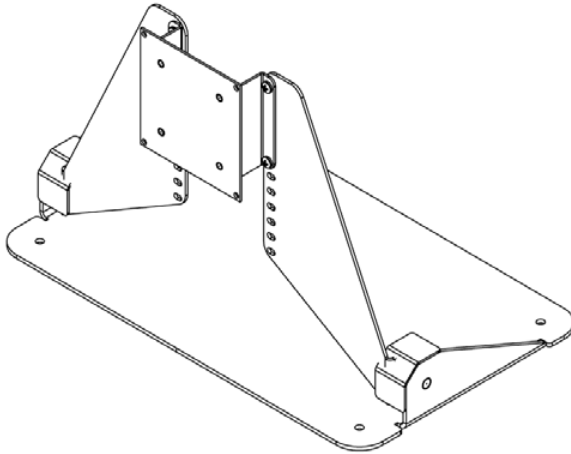


Figure 7: Flat Screen Table Stand (for C-NaviGator II) / CHIFSB018BLK

Option #3: Wall Mount



Figure 8: Tilting VESA Wall Mount (for C-NaviGator II) / PEEST630

Option #4: Front Panel Mount



Use this adaptor if unable to secure display from the back. Appropriate hardware is included to secure the C-NaviGator to the Front Panel Mount prior to mounting. Bolt thread size is M4 x 6mm

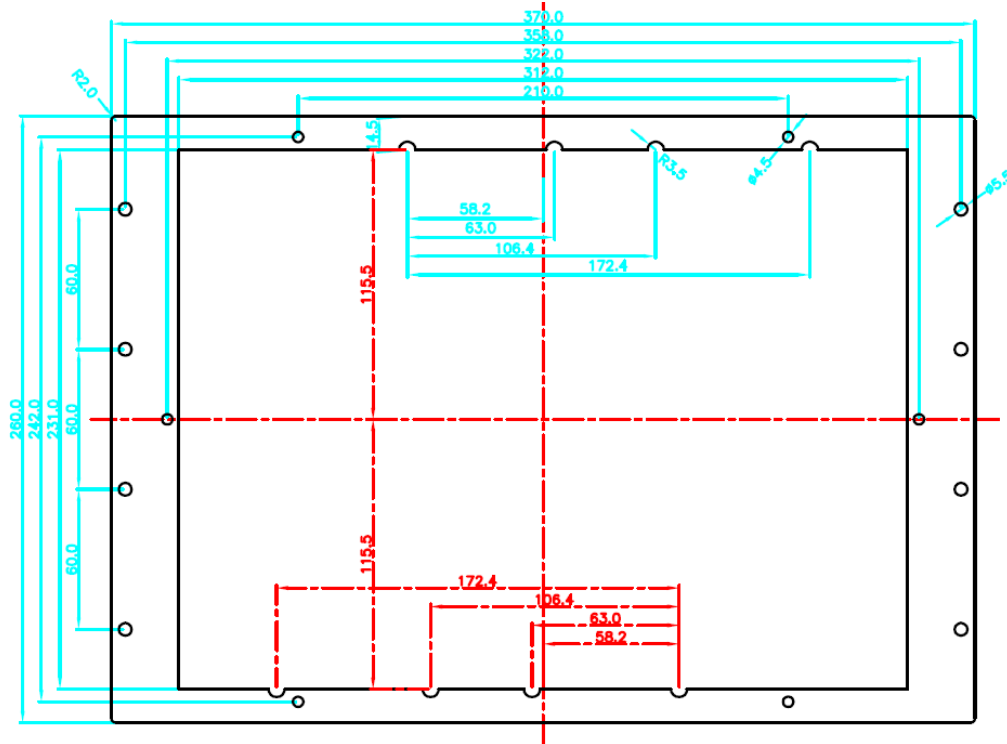


Figure 9: Front Mount Kit (for C-NaviGator II) / SYNIWO-6710-7CRBR2

Option #5: 19" Rack Mount



Use this adaptor if installing the C-NaviGator to a rack. The 19" Rack Mount takes up 7U of rack space and is 12 1/4" in height. Appropriate hardware is included to secure the C-NaviGator to the Rack Mount prior to mounting. Bolt thread size is M4 x 6mm

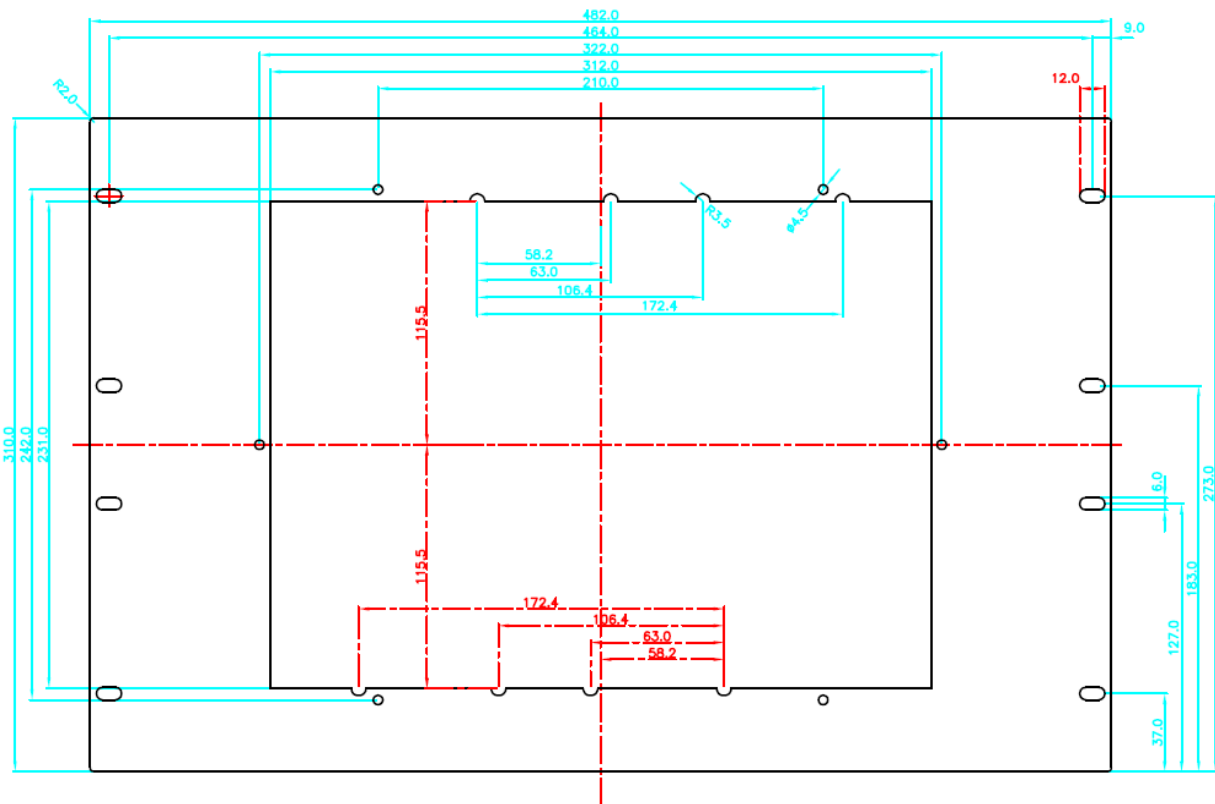


Figure 10: 19" Mounting Kit (for C-NaviGator II) / SYNIWO-6710-7CBR9

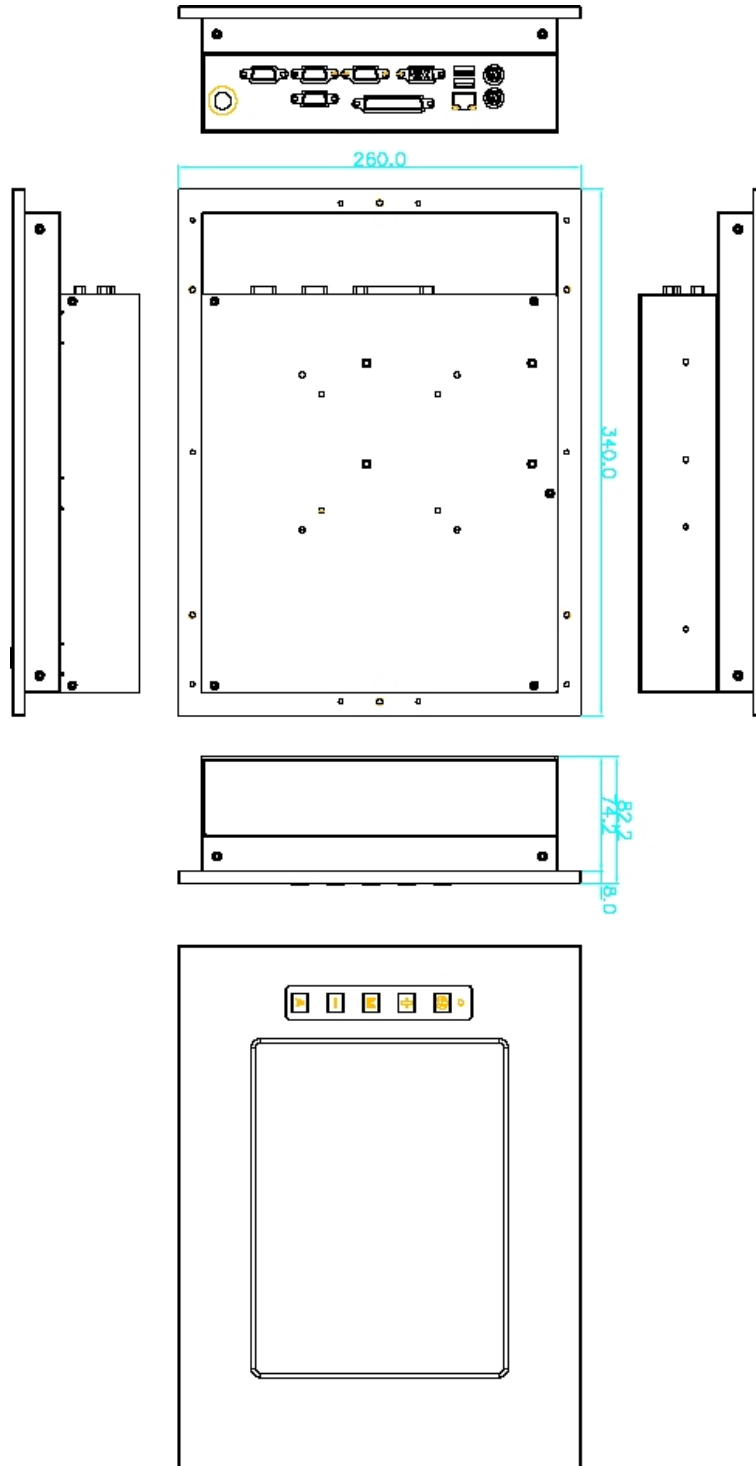


Figure 11: C-NaviGator II (side USB-port model) Outline Diagram (mm)

Both inside and outside mounting holes on vesa mount are M4 x 16mm in size.

Inside holes have 75mm spacing

Outside holes have 100mm spacing

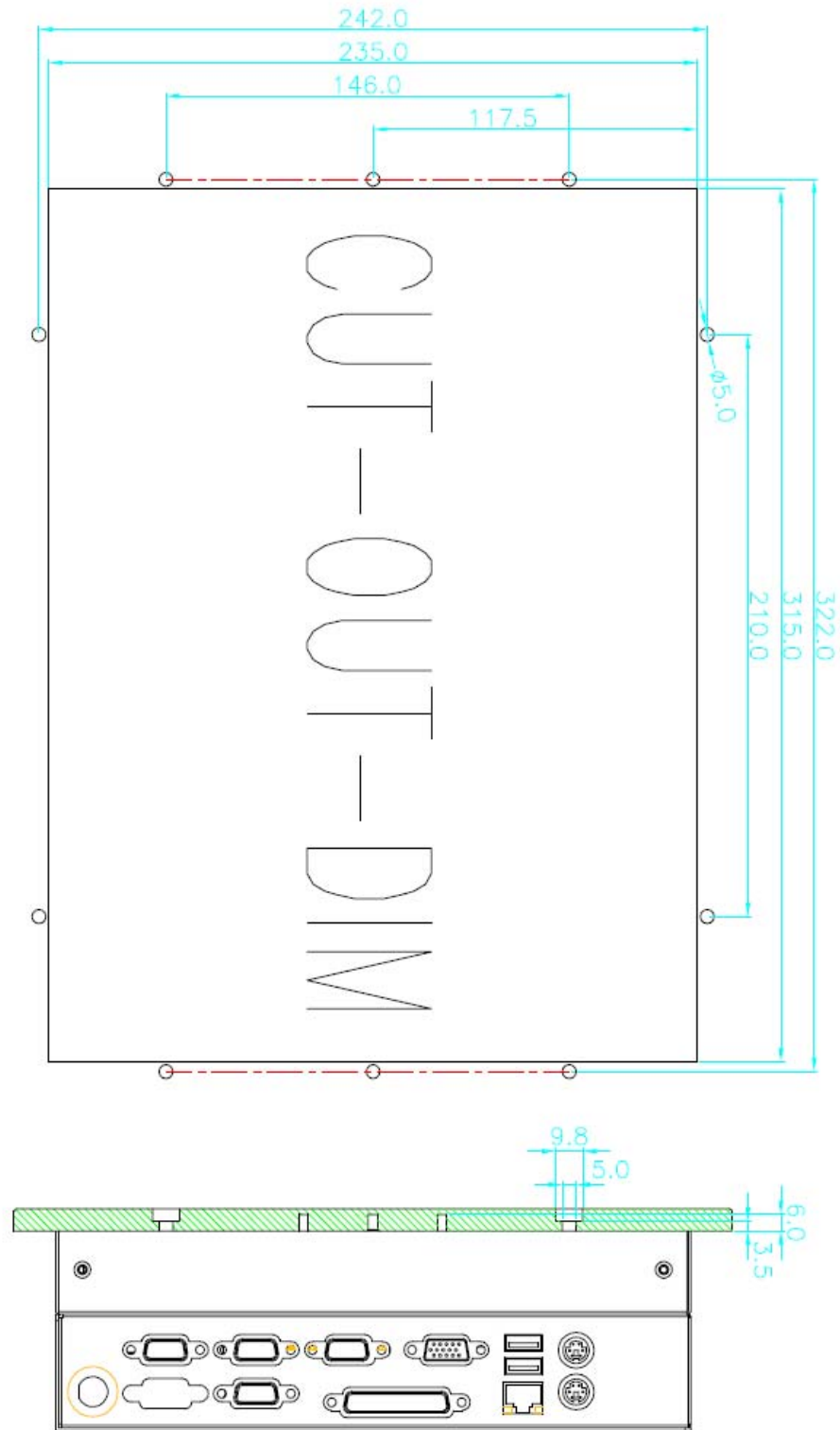


Figure 12: C-NaviGator II Cut-out Diagram (mm)

Cut-out Panel includes hardware to facilitate bolting of the C-NaviGator from the rear via M4 x 16mm sized bolts (6 places) or from the front via M4 or #10 sized bolts (4 places, rev. A only)

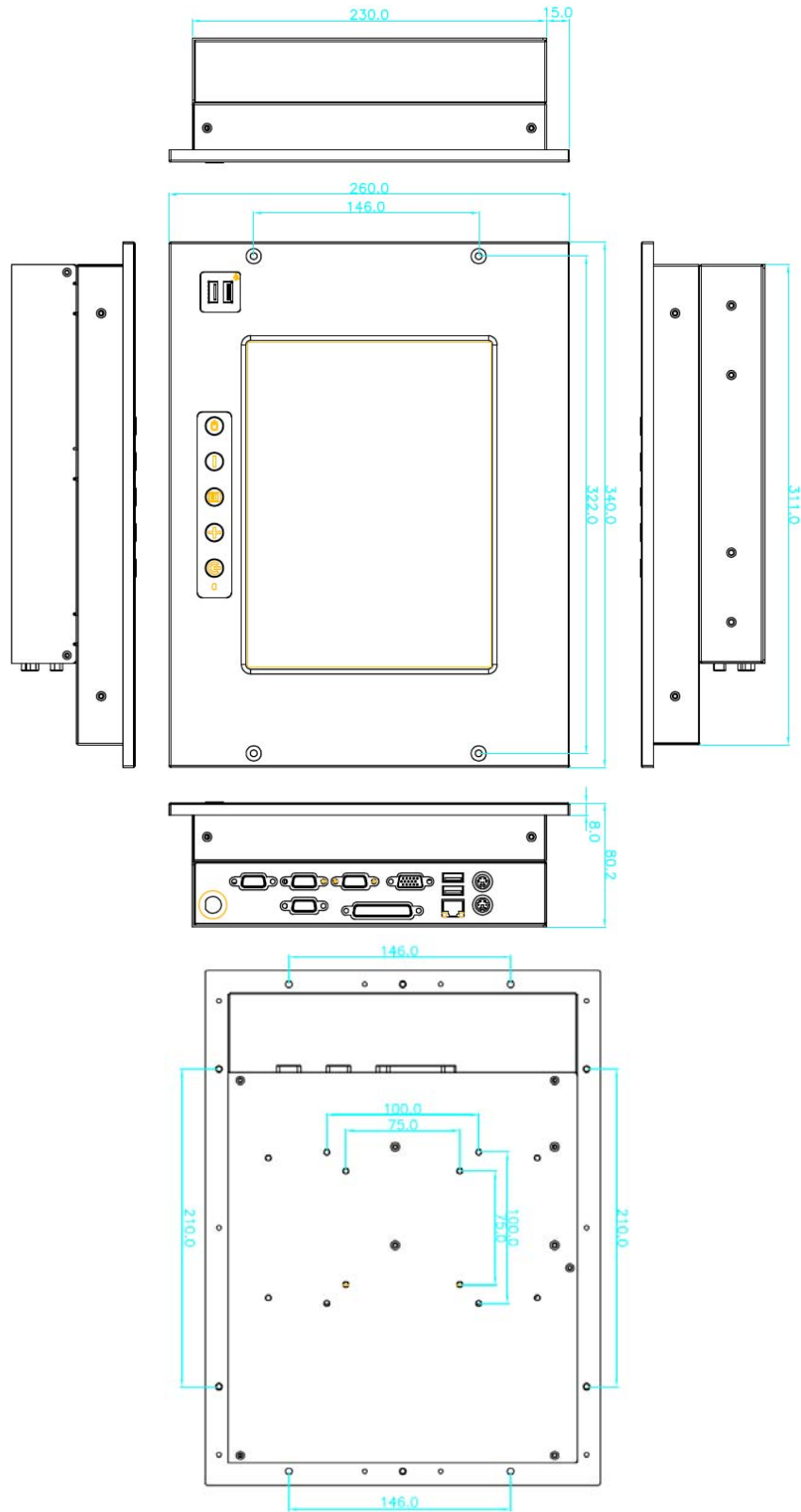


Figure 13 C-NaviGator II rev. A (front USB-port model) Outline Diagram (mm)

C-NaviGator II LCD Touchscreen Care and Cleaning

LCD screens are not like ordinary monitor screens in that they are not made of glass, rather they are made up of a soft film that can easily be damaged by abrasive cloth or paper, chloride and other chemicals found in ordinary tap water. LCD screens are delicate and they must be handled with the utmost care.

Care and Cleaning Tips:

- Turn off display before cleaning.
- Use a commercial cleaner specially designed for LCD displays, such as Klear Screen www.klearscreen.com (P/N: IK-8/MK-COM). If a commercial cleaner is unavailable, use distilled water as tap water may leave mineral spots. Eyeglass cleaner can also be used if absolutely necessary, however it may contain some alcohol, which could dry out the screen and cause it to go cloudy.
- Use a soft, lint-free, anti-static cloth such as eyeglass cloths, Microfiber cloth, Chamois, or a clean cotton T-shirt. Dampen cleaning cloth with your solution and apply very gentle pressure using a circular motion.
- Ensure screen is thoroughly dry before powering on.

Do not:

- Spray cleaner directly on screen. It could possibly leak inside a non-sealed unit and cause damage.
- Use solution that contains ammonia (e.g. Windex). It can etch the screen surface and cause the plastic to go cloudy.
- Use paper towels, tissues, dish cloths. Paper products contain micro-particles of wood and will cause tiny scratches that you may not see, but will be harmful.